

AP-MNT-MP10-A/B/C Mount Kit

Installation Guide

The AP-MNT-MP10-A, the AP-MNT-MP10-B, and the AP-MNT-MP10-C are low-profile mount kits for attaching APs to ceiling rails. The low-profile design means that there will be limited space between the back of the AP and the mount surface. These mount kits are designed to work with the pre-assembled bracket on the back of the APs. Refer to [Table 1](#) to find the appropriate mount kit for your ceiling rail.

The AP-MNT-MP10-A, the AP-MNT-MP10-B, and the AP-MNT-MP10-C are three of multiple AP-MNT-MP10 mount kits. For installation videos and details on which AP-MNT-MP10 mount kit is right for you, visit support.arubanetworks.com, click on the Documentation tab, and navigate to Hardware Installation Guides > AP Mount Kits > AP-MNT-MP10 Mount kits.

Table 1 Mount Kit Deployments

Mount Kit	Ceiling Rail Deployment
AP-MNT-MP10-A	9/16" or 14mm T-beam Rail (such as Armstrong Suprafine 9/16" Exposed Tee)
AP-MNT-MP10-B	15/16" or 24mm T-beam Rail (such as Armstrong Prelude 15/16" Exposed Tee)
AP-MNT-MP10-C	9/16" Profile Rail (such as Armstrong Interlude 9/16") 9/16" with 1/4" Bolt slot Rail (such as Armstrong Silhouette 9/16" Boltslot 1/4" Reveal) 9/16" with 1/8" Bolt slot Rail (such as Armstrong Silhouette 9/16" Boltslot 1/8" Reveal)

Ceiling Rail Installation

These mount kit support multiple AP models. All installation images show the AP-535.

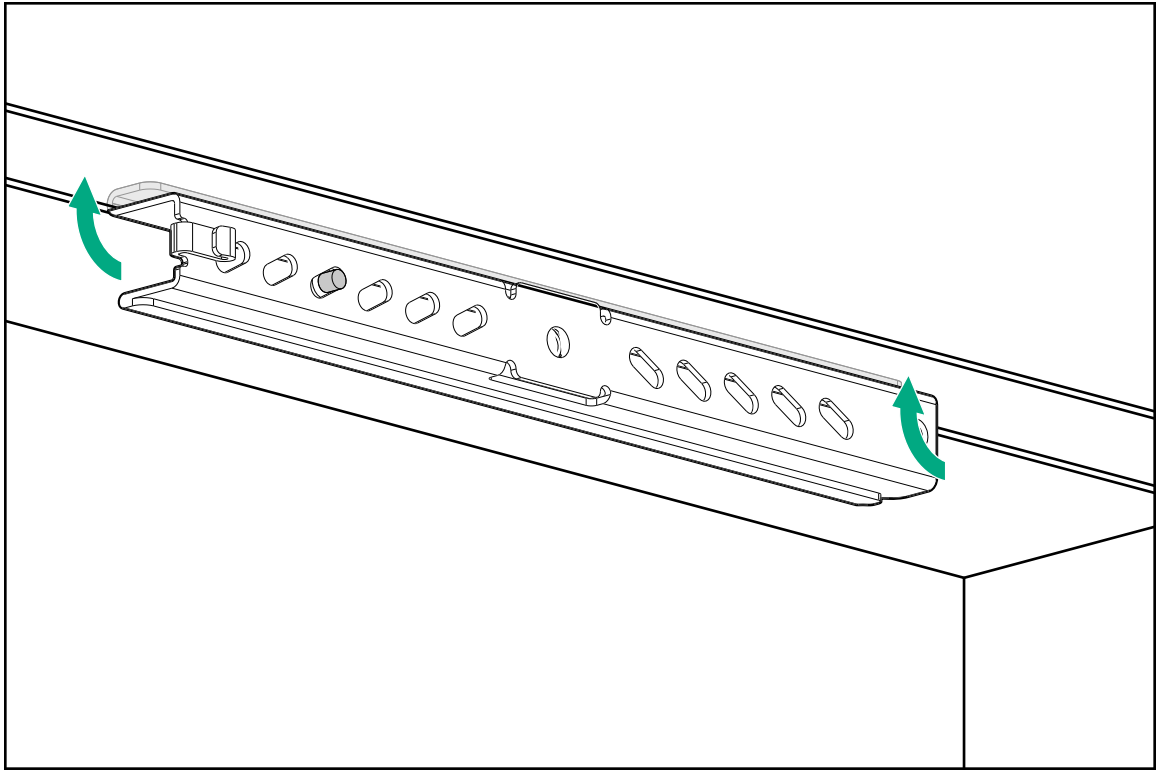


This installation guide supports the AP-MNT-MP10-A, the AP-MNT-MP10-B, and the AP-MNT-MP10-C. All installation images show the AP-MNT-MP10-B. A #1 Phillips Head screwdriver is required to complete installation for all these mounts.

1. Snap the bracket with the hook onto a ceiling rail, making sure the side with the closed hem is facing down and the hook and rivet are facing out (see [Figure 1](#)).



Figure 1 Attach Hook Bracket to Rail



2. Bring the other bracket in at an angle with the closed hem facing down so that it slips under the hook and clicks onto the rivet and rail (see [Figure 2](#) and [Figure 3](#)).

Figure 2 Slip Second Bracket Under the Hook

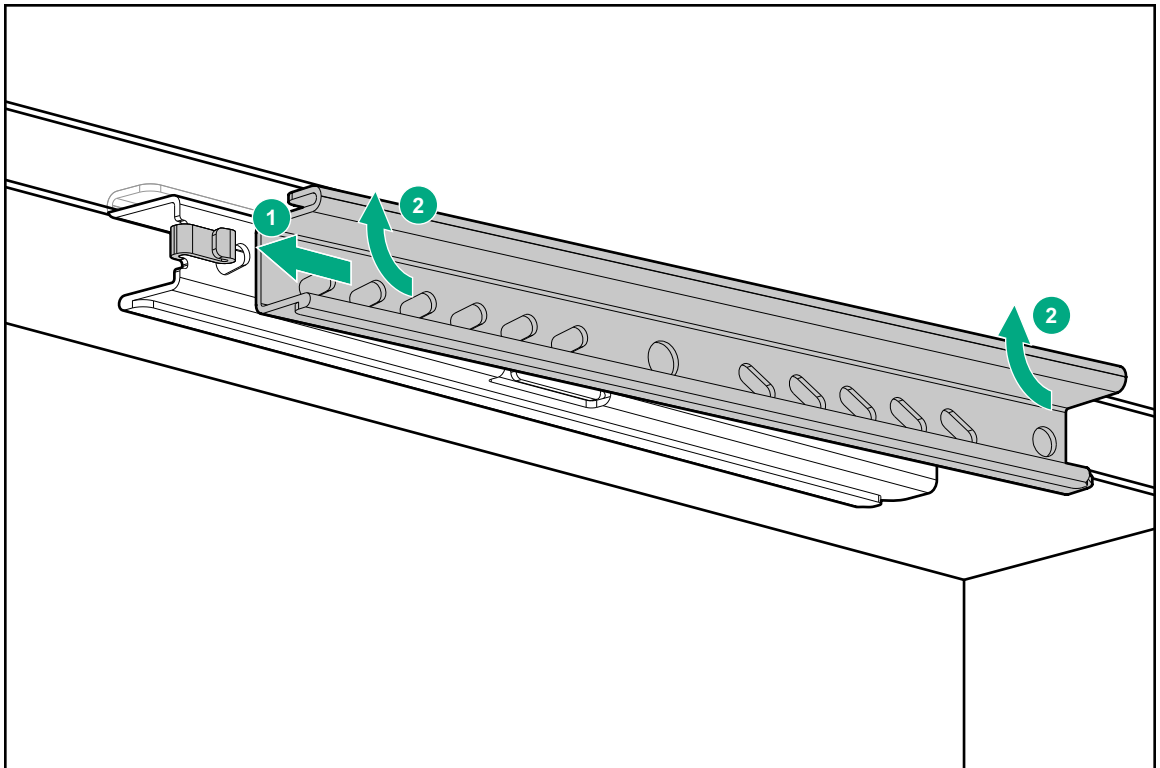
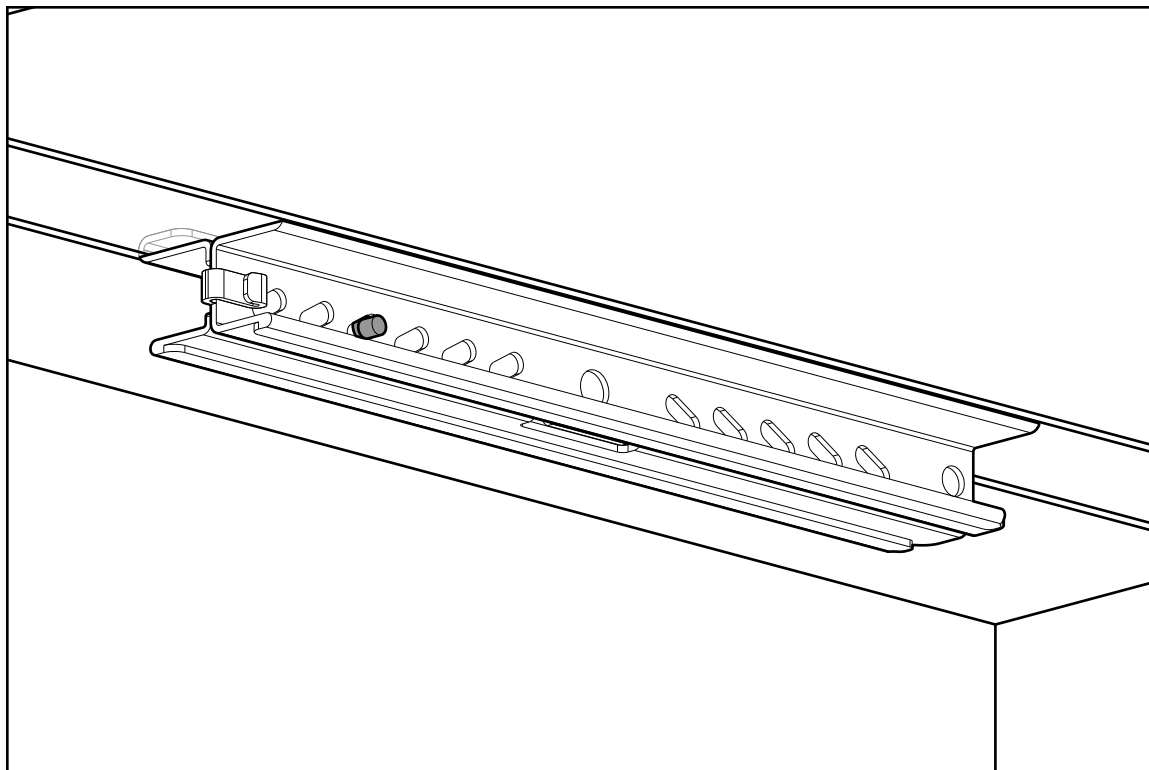
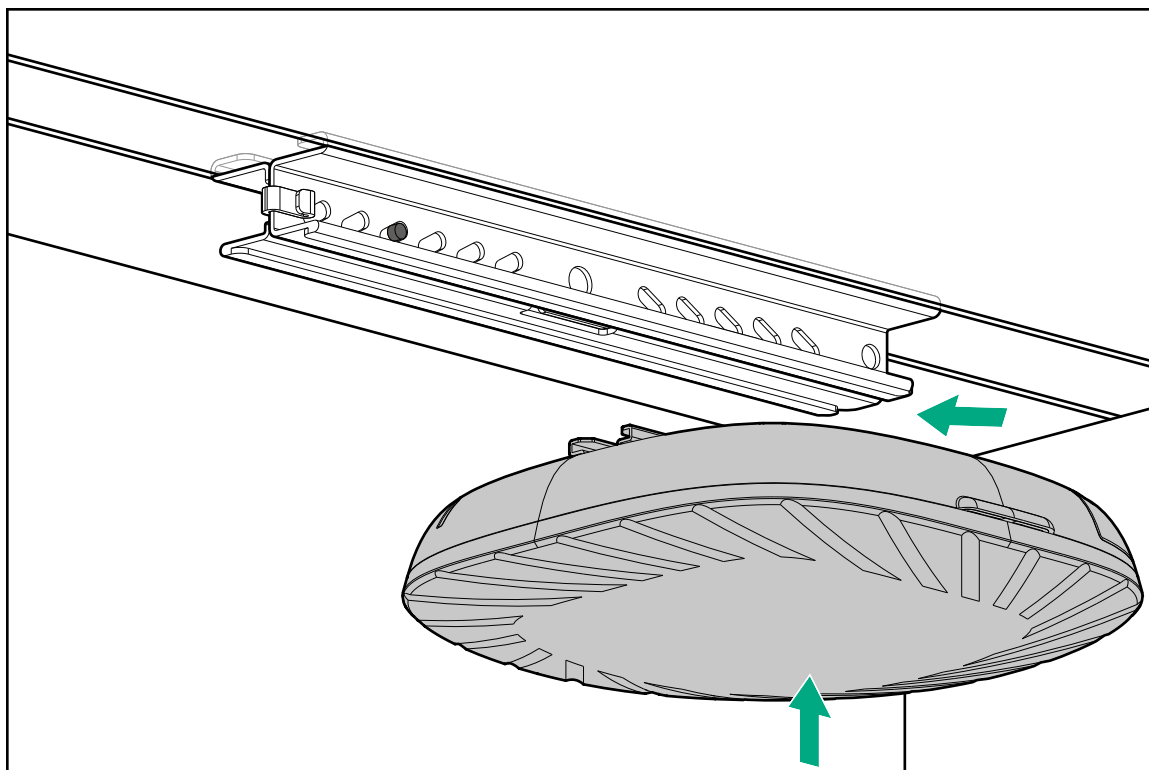


Figure 3 Clip the Second Bracket to the Rivet and Rail



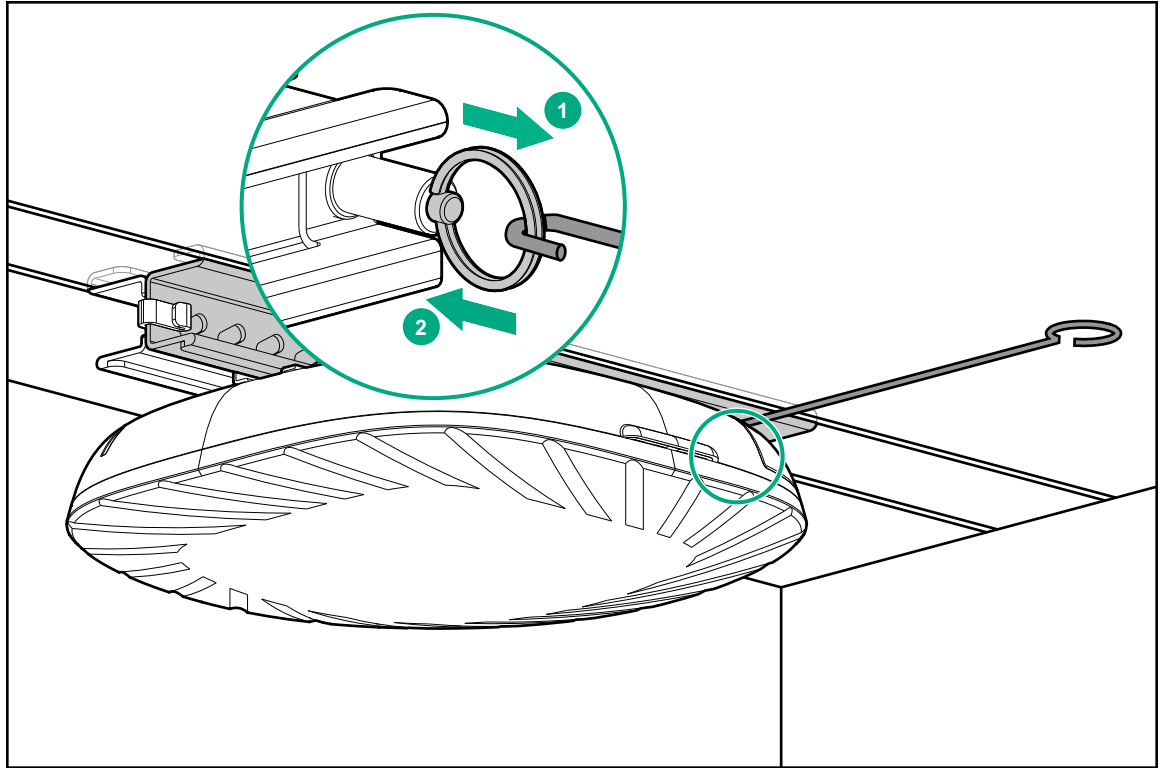
3. Slide the bracket attached to the AP onto the ceiling bracket. Make sure the chamfered edge of the AP bracket is sliding onto the side with the chamfered edge of the ceiling bracket (see [Figure 4](#)).

Figure 4 Slide AP Bracket Onto Ceiling Bracket;



4. Use the hook tool provided to pull the lock ring attached to the AP bracket (see [Figure 5](#)).

Figure 5 Use Hook Tool to Release Lock Ring



5. Slide the AP fully into place and release the lock ring.
6. Use a #1 Phillips Head screwdriver to tighten the attached screw (see [Figure 6](#)).

Figure 6 Tighten Attached Screw

